

# PEM Driveshaft Order Form

636 629-6200 Fax 636 629-6207

Ask for Driveshaft Sales cday@pemracing.com

Figure 1 driveshaft

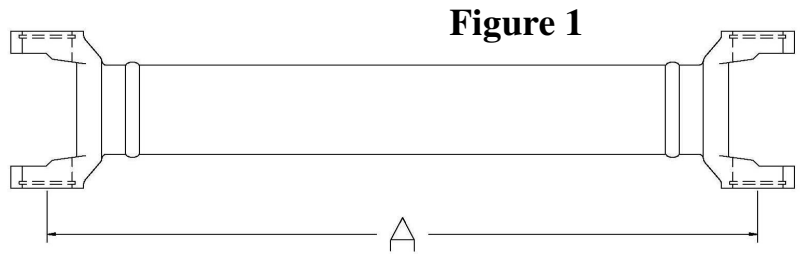


Figure 1

Figure 2

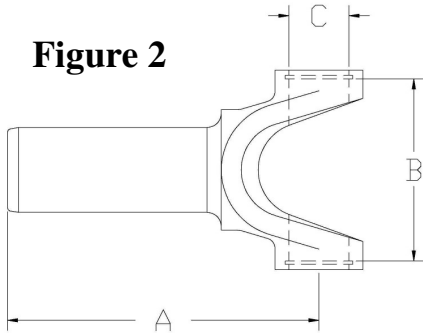


Figure 3

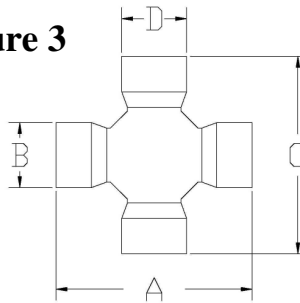


Figure 4

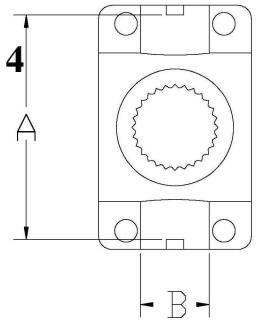


Figure 2 slip yoke

(A) \_\_\_\_\_ (B) \_\_\_\_\_

(C) \_\_\_\_\_ Spline \_\_\_\_\_

Option: Chrome Moly \_\_\_\_\_

Figure 3 u joint

(A) \_\_\_\_\_ (B) \_\_\_\_\_

(C) \_\_\_\_\_ (D) \_\_\_\_\_

Option: Greasable \_\_\_ Solid cross \_\_\_\_\_

Figure 4 differential yoke

(A) \_\_\_\_\_

(B) \_\_\_\_\_

DOM Steel x Wall thickness

- 2" OD x .083" wall \_\_\_\_\_
- 2" OD x .120" wall \_\_\_\_\_
- 2.5" OD x .083" wall \_\_\_\_\_
- 3" OD x .083" wall \_\_\_\_\_
- 3.5" OD x .083" wall \_\_\_\_\_
- 4" OD x .083" wall \_\_\_\_\_

Chrome Moly Steel x Wall thickness

- 2" OD x .065" wall \_\_\_\_\_
- 2" OD x .083" wall \_\_\_\_\_
- 3" OD x .083" wall \_\_\_\_\_
- 3.5" OD x .083" wall \_\_\_\_\_

Option: JBRC Moly Weld Yokes

Aluminum x Wall thickness

- 3" OD x .125" wall \_\_\_\_\_
- 3.5" OD x .114" wall \_\_\_\_\_
- 4" OD x .087" wall \_\_\_\_\_

**TIPS:** The vehicle must be measured as it is to operate; DO NOT measure with the suspension hanging.

Fill out all dimensions on the order to get the correct drive shaft with the correct yokes.

Grease u-joints after you install the driveshaft.

Do not over tighten u-bolts. Torque Specs: Cap Size 1 1/16" & 1 1/8" 15-17 ft/lbs.

1 3/16" 15-25 ft/lbs. 1 3/8" 33-37 ft/lbs.

Name \_\_\_\_\_ Phone Number \_\_\_\_\_  
 Address \_\_\_\_\_ email \_\_\_\_\_  
 City \_\_\_\_\_ State \_\_\_\_\_ Zip \_\_\_\_\_ Please Note: Estimates are an approximation. Estimates are subject to change based on the complexity of the repair, part availability, and any unforeseen variables. Signature \_\_\_\_\_

ALL ORDERS MUST BE ACCOMPANIED WITH COMPLETED DRIVESHAFT ORDER FORM



To ORDER Please Call **RANDY**  
636 234-0975  
Fax 636 234-0982

## PEM Quality Drive Shafts

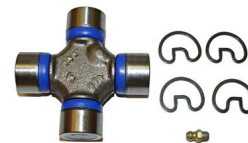
PEM is a well known drive-train parts supplier in the racing marketplace with experienced knowledgeable staff. PEM's core product line includes: 9 inch Ford gears, differentials and center sections for street and racing. **And now, Drive Shafts.**



- DOM mild steel drive shafts available in 2", 3" and 3.5" outside diameters. Chrome Moly steel is also available.
- We also have 3" diameter aluminum drive shafts..
- Quick turn-around time on standard builds and repair.
- New OEM quality parts.
- Built on new purpose built assembly, welding, and balance equipment.
- Call and get a quote on your next driveshaft.
- Dealer inquiries from shops and service centers are also welcome.

## U-Joints, Slip Yokes & Hardware

- U-Joints available in Grease-able and Solid Cross.
- U-Joint Styles in stock 1310, 1330, 1350 , 1310/1330, 1330/1350, 1310/3R GM



## Drive Shaft Repair and Balancing

- Shorten and Balance Drive Shafts available. Additional cost for replacing U-Joints.

You can find us right off I-44 at exit 240. Take North West Outer Road west to AB and we are behind Pizza Shack. Look for our sign at the end of Saint Clair Industrial Park Drive.